

Emergency evacuation device

The derope® emergency escape/controlled descent device enables the evacuation of one or two persons from an elevated position to a lower level or the ground at a controlled speed of 235 ft./min. (72 m/min.).

Rescue device

The derope® descent device can also be used for one man or two-man rescue operations. Victims can be lowered alone or accompanied by the rescuer following the standard procedures for rescue applications. If obstructions or obstacles prevent a vertical evacuation, the operation can be carried out down a cableway or tagline positioned at an angle between 30° and 60°.

derope® T (base model)

The derope® descent device utilizes 3/8 in. (9.5 mm) Kernmantle® rope that runs through a guarded rope sheave which is connected to a sealed centrifugal brake that limits the descent speed to 235 ft./min. (72 m/min.). Snap hooks located at each end of the rope allow for multiple evacuations as the brake controls the descent speed in either direction. Dual descent pig tails and an intergraded jamming cleat give the user more control during a rescue. External cooling fins ensure that the unit is rapidly ready for consecutive descents.

derope® Up A descent device with hand wheel winch

Model incorporates a hand wheel winch mounted on to the base unit which allows the Derope® descent device to be used as a lifting device. With a lift ratio of roughly 2:1, the winch is capable of lifting a victim in order to release it from its fall protection sub-system.

derope® Up E descent device with ladder bracket

Model equipped with a wheel winch and a ladder bracket that can be secured on ladder rungs for more stability during rescue operations.

derope® Up R descent device with tripod bracket

Model equipped with a wheel winch and a tripod bracket that can be secured on a tripod leg to perform rescue operations in confined space environments.

For further information, refer to "Use and Maintenance Instructions" for evacuation and rescue equipment and derope® emergency escape/controlled descent device.

FEATURES

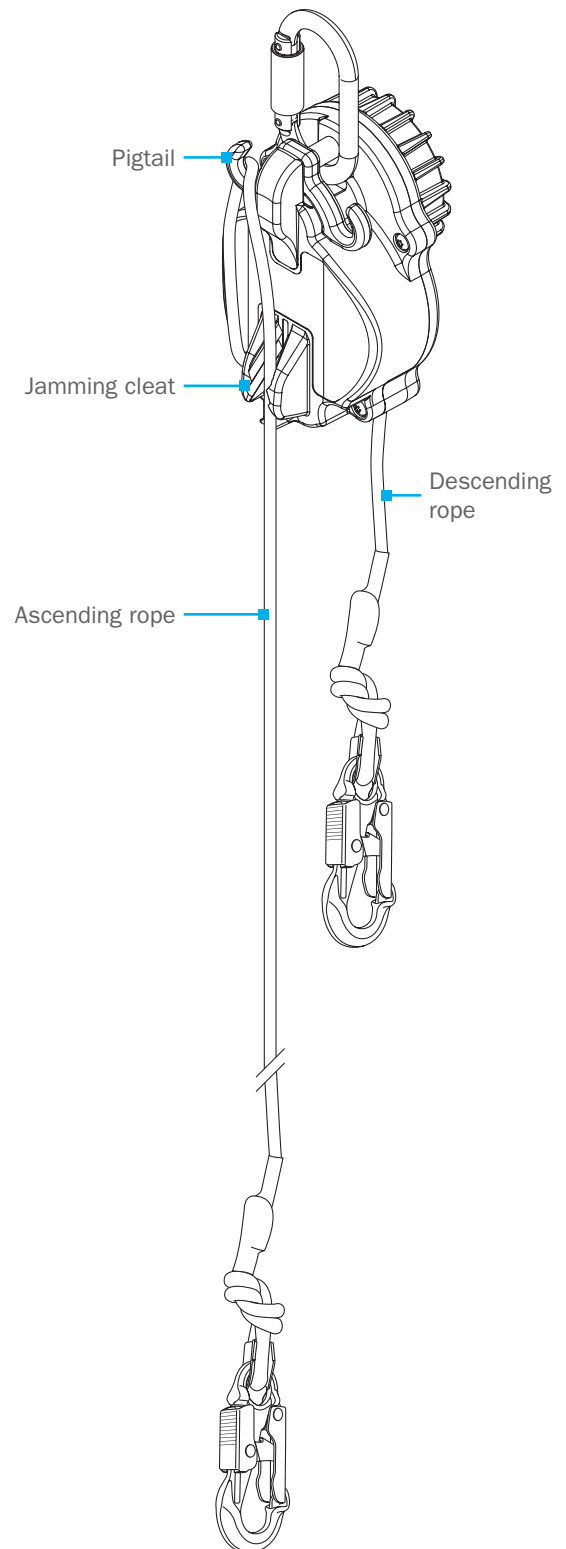
- Easy to use, minimum training required
- Single descent for one person:
 - Constant descent speed of 235 ft./min. (72 m/min.)
 - Up to 1,300 ft. (400 m) of descent
- Single descent for two persons:
 - Constant descent speed of 295 ft./min. (90 m/min.)
 - Up to 650 ft. (200 m) of descent

APPLICATIONS

- Wind power turbines
- Aerial electric lines
- Antennas, towers
- Platforms, cranes
- Confined space (sewerage system, gas grid, piping)
- Cable car cabins
- Silos

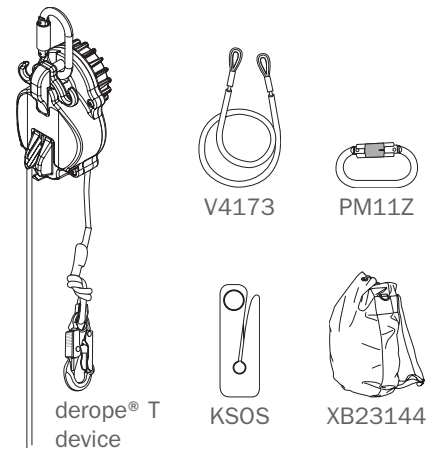
APPLICABLE STANDARDS

- ANSI Z359.4-07
- CSA Z259.2.3, type 1E



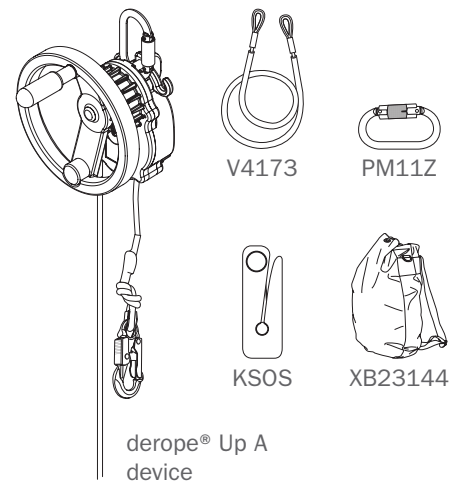
AVAILABLE DEROPE® T DESCENT DEVICE KITS INCLUDING:

- derope® descent device unit
- 6 ft. (1.8 m) vinyl covered wire rope sling – V4173
- 5/16 in. (16 mm) carbon steel autolocking carabiner – PM11Z
- J-knife – KSOS
- Rescue/rope bag – XB23144 or XB26168
- **KT7200/TK** 200 ft. (60 m) derope® T descent device system
- **KT7300/TK** 300 ft. (90 m) derope® T descent device system
- **KT7400/TK** 400 ft. (120 m) derope® T descent device system
- **KT7500/TK** 500 ft. (150 m) derope® T descent device system
- **KT7600/TK** 600 ft. (180 m) derope® T descent device system



AVAILABLE DEROPE® UP A DESCENT DEVICE KITS INCLUDING:

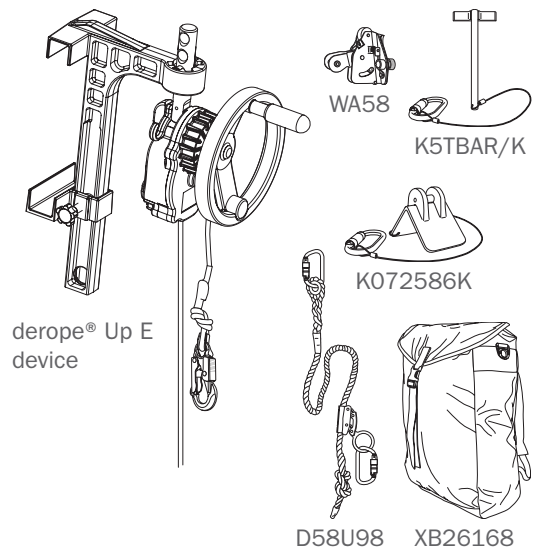
- derope® descent device unit with hand wheel winch
- 6 ft. (1.8 m) vinyl covered wire rope sling – V4173
- 5/16 in. (16 mm) carbon steel autolocking carabiner – PM11Z
- J-knife – KSOS
- Rescue/rope bag – XB23144 or XB26168
- **KT7200/AK** 200 ft. (60 m) derope® Up A descent device system
- **KT7300/AK** 300 ft. (90 m) derope® Up A descent device system
- **KT7400/AK** 400 ft. (120 m) derope® Up A descent device system



AVAILABLE LADDER DEROPE® UP E DESCENT DEVICE KITS INCLUDING:

- derope® descent device unit with mounted ladder adapter
- Adjustable lanyard including two PM11Z carabiners – D58U98
- Edge roller – K072586K
- T-bar – K5TBAR/K
- stopfor® A rope grab – WA58
- Rescue bag – XB26168
- **KT7230/WKE** 230 ft. (70 m) derope® Up E descent device system
- **KT7280/WKE** 280 ft. (85 m) derope® Up E descent device system
- **KT7300/WKE** 300 ft. (90 m) derope® Up E descent device system
- **KT7330/WKE** 330 ft. (100 m) derope® Up E descent device system

*Recommended lanyard: C826H

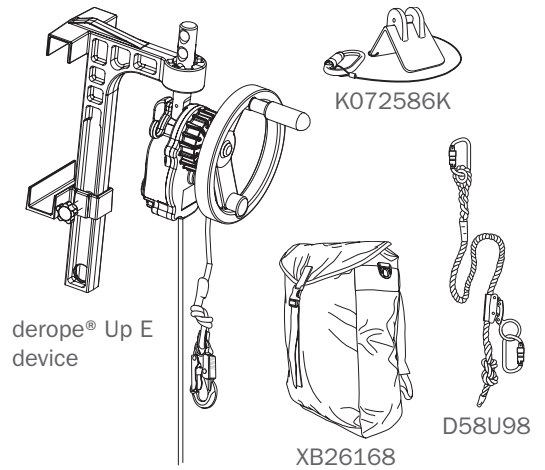


AVAILABLE LADDER DEROPE® UP E DESCENT DEVICE KITS INCLUDING:

- derope® descent device unit with mounted ladder adapter
- Adjustable lanyard including two PM11Z carabiners – D58U98
- Edge roller – K072586K
- Rescue bag – XB26168

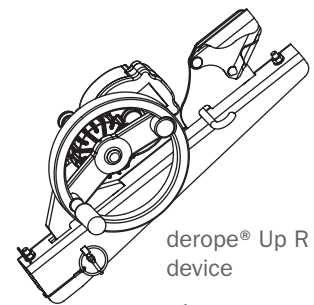
- **KT7230/WK** 230 ft. (70 m) derope® Up E descent device system
- **KT7280/WK** 280 ft. (85 m) derope® Up E descent device system
- **KT7300/WK** 300 ft. (90 m) derope® Up E descent device system
- **KT7330/WK** 330 ft. (100 m) derope® Up E descent device system

*Recommended lanyards: C5Y26H/R, C526H/R, CA226H/R and C826H



AVAILABLE TRIPOD DEROPE® UP R DESCENT DEVICE KITS:

- **KT7050/R** 50 ft. (15 m) derope® Up R descent device system
- **KT7100/R** 100 ft. (30 m) derope® Up R descent device system



ACCESSORIES

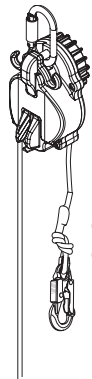
- **K3040092** In-line double pulley
- **K3020512** Rigging plate
- **GC759** Super dry, semi-static 3/8-in. (9.5 mm) kernmantle rope, per foot (system requires 2 ft. [0.6 m] of rope for each foot of height)

Recommended lengths of rope

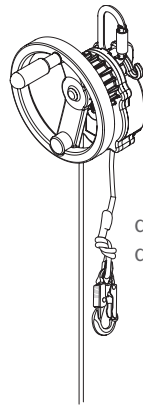
Evacuation: 1 x the height to evacuate

Rescue: 2 x the height

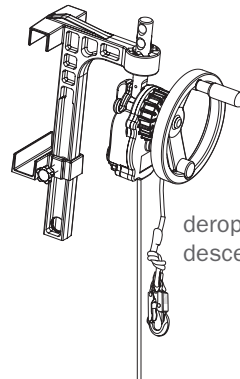




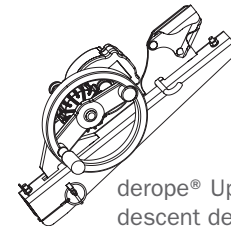
derope® T
descent device



derope® Up A
descent device



derope® Up E
descent device



derope® Up R
descent device

MODEL	DEROPE® T	DEROPE® UP A	DEROPE® UP E	DEROPE® UP R
MAX. HEIGHT FOR SINGLE DESCENT	1 PERSON	1,300 ft. (400 m)		
	2 PERSONS	650 ft. (200 m)		
SPEED OF DESCENT	1 PERSON	235 ft./min (72 m/min)		
	2 PERSONS	295 ft./min (90 m/min)		
TEMPERATURE	-31 to 122°F (-35 to 50°C)			
DIMENSIONS (H x W x D)	6 ¹ / ₁₆ x 4 ² / ₃₂ x 4 ⁷ / ₈ in. (170 x 120 x 105 mm)	8 ⁵ / ₆₄ x 7 ⁷ / ₈ x 6 ¹ / ₂ in. (225 x 200 x 165 mm)	19 ² / ₃₂ x 10 ⁷ / ₁₆ x 6 ¹ / ₂ in. (485 x 265 x 165 mm)	19 ³ / ₃₂ x 10 ⁷ / ₁₆ x 6 ¹ / ₂ in. (485 x 265 x 165 mm)
CONSTRUCTION	Housing: aluminum casting Internal parts (pulley and gears): heat-treated steel			
HAND WHEEL WINCH	MAX. LOAD	310 lbs. (140 kg)		
	APPLIED FORCE	n/a	11 lbs. (5 kg)	
	LIFT RATIO	10 rotations raises victim by 6 ³ / ₄ in. (17 cm)		
CAPACITY	1 PERSON	310 lbs. (140 kg)		
	2 PERSONS	500 lbs. (225 kg)		
WEIGHT	4 lbs. (1.9 kg)	6.6 lbs. (3 kg)	13.4 lbs. (6.1 kg)	14.3 lbs. (6.5 kg)
KERNMANTLE® ROPE (GC7S9)*	3/8 in. (9 mm) Tractel® super dry Kernmantle® made of nylon Minimum breaking strength: 4,000 lbs. (18 kN) Elongation: 4.5%			
STANDARDS	ANSI Z359.4-07 and CSA Z259.2.3, type 1E			

Recommended lengths of rope

Evacuation: 1 x the height to evacuate

Rescue: 2 x the height

MAXIMUM NUMBER OF CONSECUTIVE DESCENTS

DESCENT HEIGHT	< 165 ft. (< 50 m)	< 410 ft. (< 125 m)	< 650 ft. (< 200 m)	< 1,000 ft. (< 300 m)	< 1,300 ft. (< 400 m)
CAPACITY OF 310 LBS. (140 KG)	16	6	4	2	2
CAPACITY OF 500 LBS. (225 KG)	6	2	1	1	Prohibited

Specifications are subject to change without notice. Images are for illustrative purposes only.