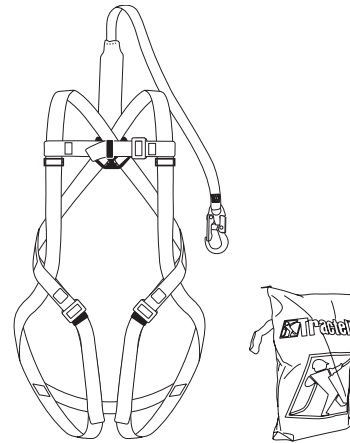


AERIAL LIFT KIT

EA06K

- Phoenix harness (A432)
 - See technical sheet T-4603U
- Sewn 6 ft. (1.8 m) shock-absorbing lanyard with 3/4 in. (20 mm) self-locking snap hook (C006K)
 - See technical sheet T-4604U
- Storage bag (XB1116)
 - 11 x 16 in. (28 x 40 cm)

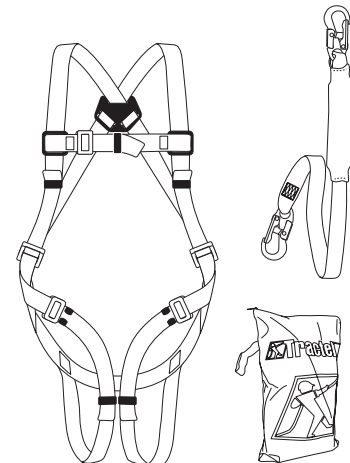
Refer to technical sheet T4609U for more information on the Aerial lift kit.



BASIC FALL PROTECTION KIT

KIT-B01K

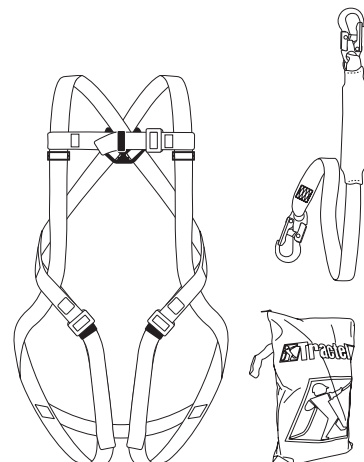
- Phoenix T5 harness
 - See technical sheet T-4500U
- 6 ft. (1.8 m) shock-absorbing lanyard with 3/4 in. (20 mm) self-locking snap hooks (C006K)
 - See technical sheet T-4604U
- Storage bag (XB1116)
 - 11 x 16 in. (28 x 40 cm)



PHOENIX BASIC FALL PROTECTION KIT

KIT-B41K

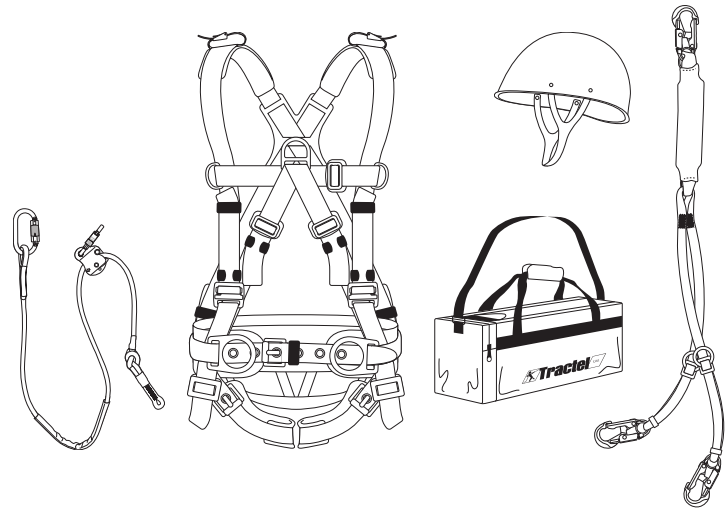
- One size Phoenix harness (A432)
 - See technical sheet T-4603U
- 6 ft. (1.8 m) shock-absorbing lanyard with 3/4 in. (20 mm) self-locking snap hooks (C006K)
 - See technical sheet T-4604U
- Storage bag (XB1116)
 - 11 x 16 in. (28 x 40 cm)



TOWER CLIMBER'S BASIC KIT

KIT-TCBZL

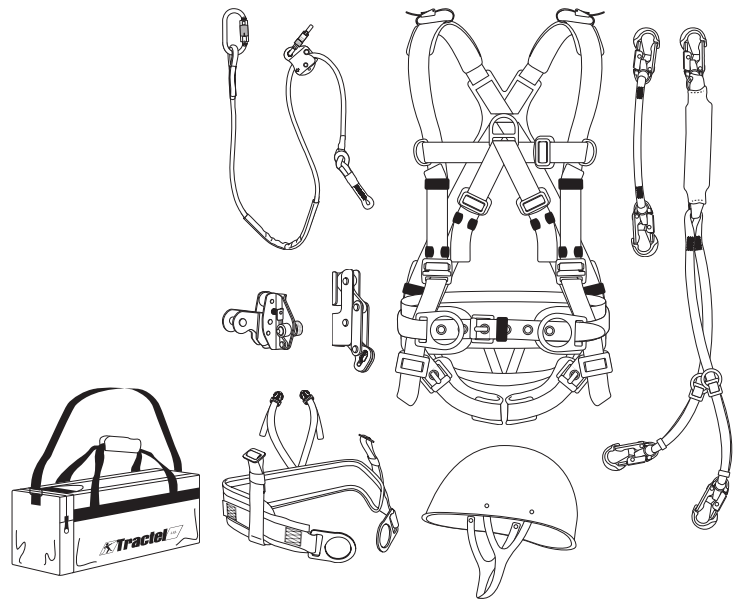
- TowerPro harness (FBDL)
 - See technical sheet T-4638U
- Tie-back lanyard (C186ZZ)
 - See technical sheet T-4624U
- Work-positioning lanyard (CSP06C1)
 - See technical sheet T-4622
- Helmet (K3A16)
- Tractel® gear bag (XB2111)
 - 11 x 11 x 21 in. (28 x 28 x 53 cm)
- Sizes: medium, large and X-large



TOWER CLIMBER'S DELUXE KIT

KIT-TCDZL

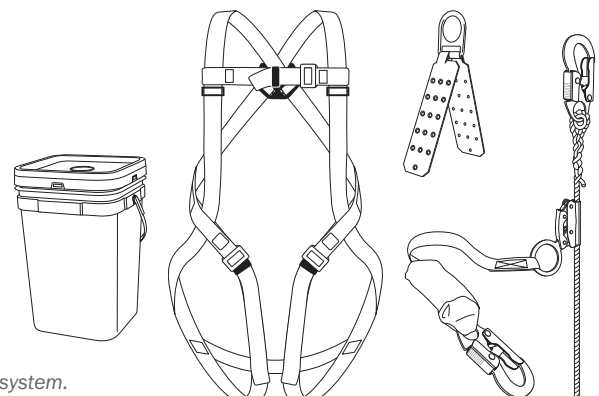
- TowerPro harness (FBDL)
 - See technical sheet T-4638U
- Pro-Seat saddle (XSAD1)
 - See technical sheet T-4638U
- Tie-back lanyard (C186ZZ)
 - See technical sheet T-4624U
- Work-positioning lanyard (CSP06C1)
 - See technical sheet T-4622
- stopfor® S 5/8 in. (16 mm) rope grab (WS58)
 - See technical sheet T-4509
- Quick-draw lanyard (CL02Z)
 - See technical sheet T-4636
- 3/8 in. (9.5 mm) wire rope grab with carabiner (LT38)
 - See technical sheet T-4511
- Helmet (K3A16)
- Tractel® gear bag (XB2111)
 - 11 x 11 x 21 in. (28 x 28 x 53 cm)
- Sizes: medium, large and X-large



QUIK-MOUNT® ROOFING SYSTEM

N0850S

- Phoenix harness (A432)
 - See technical sheet T-4603U
- 50 ft. (15 m) of Superline lifeline (GS50NK)
 - See technical sheet T-4567
- Manual rope adjuster and 3 ft. (0.9 m) shock-absorbing lanyard combination (D5U03K)
 - See technical sheet T-4694U
- One heavy-duty hinged D-ring roof anchor with screws (428103S)
 - See technical sheet T-4598
- Supplied in a pail



Refer to technical sheet T4602U for more information on the quik-mount® roofing system.

Specifications are subject to change without notice. Images are for illustrative purposes only.