

# ParaRail GUARDRAIL SYSTEM

## Description

The ParaRail is a passive fall protection system that allows workers complete access to a leading edge while still being protected by the guardrail. It provides the portability and economy of a self-supporting, no drill installation. The system can be used as a permanent guardrail or moved to different locations as needed. Rail sections are constructed of 1-5/8" inch steel tubing. The rails secure to 108 pound cast iron bases that have four ports, allowing the rails to be placed in infinite positions.



## Basic Use

The ParaRail Guardrail System provides a free-standing fall protection system that allows full access to the leading edge of a flat roof or parapet. The system can be used as a permanent guardrail or moved to different locations as needed. The ParaRail provides fall protection for a variety of tasks including maintenance for security cameras, antennas, lights, drain cleaning and hoisting of tools and materials. It provides the economies of a fully portable system for commercial, industrial and worksite applications such as office buildings, airports, high-rises, parking lots, raised docks, shopping centers, mezzanines, and bridges.



## OSHA Compliance

Compliant with regulations for guardrails:

- ▶ 29 CFR 1910.23
- ▶ 29 CFR 1923.502

## Features

- ▶ Can be used as a portable or permanent guardrail
- ▶ Quick installation
- ▶ No drilling needed
- ▶ Deemed OSHA compliant by an independent accredited engineering firm
- ▶ Custom manufactured in-house
- ▶ Two week turnaround time
- ▶ Powder Coat and Galvanized finishes available
- ▶ Custom colors available from the RAL Color Codes
- ▶ Optional EPDM rubber pads and BUR pads available for added roof surface protection



**E**asy and full access to edges of fall hazards that complies with OSHA regulations.

## Minimum Requirements

In order to meet OSHA regulations for fall protection, outriggers must be utilized (returns/counter weights). Whether the Danger Side Run is 5' or 1000' in length, you must have these in place at the beginning and at the end of the run. Outriggers are standard rail kits that are connected at approximately 90° to the Danger Side Run of each end rail section.

See reverse side for additional specifications and test results

**BlueWater**  
MANUFACTURING

4064 Peavey Road  
Chaska, MN 55318

866-933-2935 • 952-448-2935

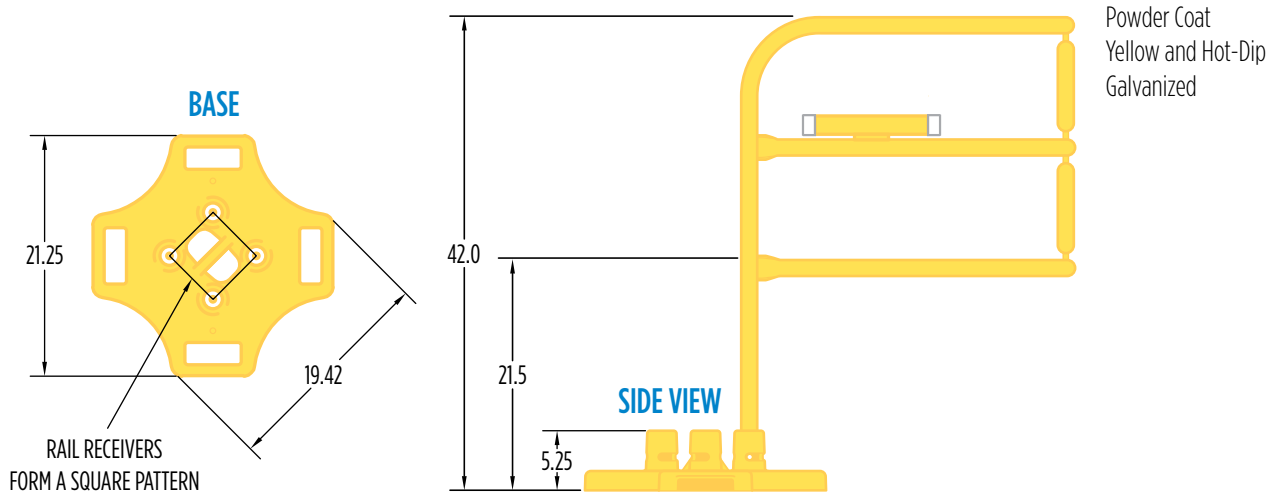
Fax 952-448-3685

[www.bluewater-mfg.com](http://www.bluewater-mfg.com)

Email [info@bluewater-mfg.com](mailto:info@bluewater-mfg.com)

A COMPANY OF INNOVATION — **NOT** IMITATION

# Product Specifications



## Roof Edge Protection:

Provide freestanding pedestrian egress barrier system on roof, including pipe railings, uprights, bases, and fittings

**Approved product:** ParaRail Guardrail System

**Standards:** System shall have top and mid rail in accordance with OSHA Standards – 29 CFR 1910.23 and 29 CFR 1926.502

**Structural Load:** 200 lb (90.7 kg), minimum, in any direction to all components in accordance with OSHA Regulations 29 CFR 1910.23 and 29 CFR 1926.502

**Height:** 42 inches (1067 mm), minimum

**Railings:** 1- 5/8 inch (41 mm) O.D. hot rolled pickled electric weld tubing, free of sharp edges and snag points

**Mounting Bases:** Class 30 gray iron material cast with four receiver posts. Base weight 108 lbs and 48 lbs per square foot. Rubber pads on base bottoms.

**Receiver Posts:** Shall have a positive locking system into slots that allow rails to be mounted in any direction. Friction locking systems are not allowed. Receiver posts shall have drain holes.

**Hardware:** Securing pins shall be 1010 carbon steel, zinc plated and yellow chromate dipped. Pins shall consist of collared pin and lanyard that connects to lynch pin.

**Finishes:** Available in standard Powder Coat Yellow and Hot-Dip Galvanized. Custom colors available.

## Options

**Surface Protection Pads:** EDPM Rubber Pads and Bur Pads are available

## Independent Test Results

### Test Conclusions:

- ▶ The portable guardrail system was found to comply with OSHA regulation 1926.502 for Fall Protection.
- ▶ The top rail was capable of withstanding a 200 pound horizontal and vertical load.
- ▶ The midpoint of the top rail deflected to 40.75 inches above the floor level when subjected to a 200 pound vertical load.

- ▶ The mid rail was capable of withstanding, without failure, a force of 150 pounds, applied in the vertical and horizontal directions.

Tests were conducted by GME Consultants, Consulting Engineers, Minneapolis, MN 55447. Complete Report available from BlueWater.

### Wind Load Calculations

Available on request.

PROJECT:	
CONTRACTOR:	
DATE:	



[www.bluewater-mfg.com](http://www.bluewater-mfg.com)